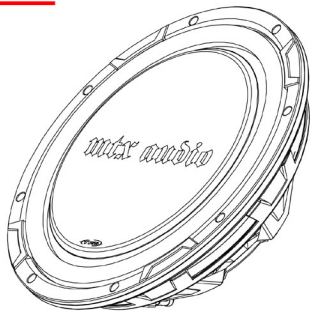


**Parameters**

Los parámetros, Paramètres, Parameter

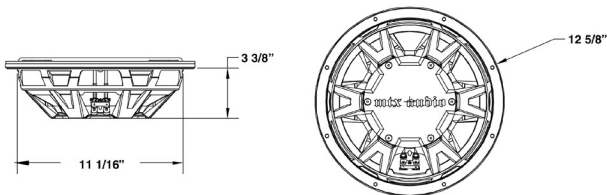
- F<sub>s</sub>: 26.32 Hz
- Q<sub>ms</sub>: 4.64
- C<sub>ms</sub>: 0.181 mm/N
- M<sub>ms</sub>: 201.7 g
- R<sub>ms</sub>: 7.20 kg/s
- V<sub>as</sub>: 2.65 ft<sup>3</sup> (75.04 liters)
- X<sub>max</sub>: 0.500 in (12.70 mm)
- D: 10.33 in (262.38 mm)
- S<sub>d</sub>: 84.21 in<sup>2</sup> (543.30 cm<sup>2</sup>)
- V<sub>d</sub>: 41.82 in<sup>3</sup> (0.69 liters)
- Q<sub>es</sub>: 0.90
- R<sub>e</sub>: 3.33 Ω
- B<sub>1</sub>: 11.09Tm
- P<sub>rms</sub>: 400 Watts
- Q<sub>ts</sub>: 0.760
- η<sub>0</sub>: 0.147 %
- SPL<sub>0</sub>: 84.00 dB
- SPL 2.83V/1m: 87.63 dB

**TT6512-04**



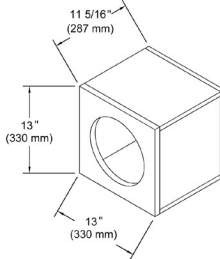
**Specifications**

Las especificaciones, Spécifications, Spezifikationen

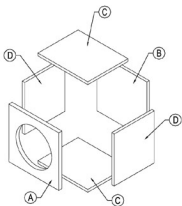


**Sealed Enclosure**

El Cero sellado, Căcuire acelușă, Abgedichtete Einseitigkeit



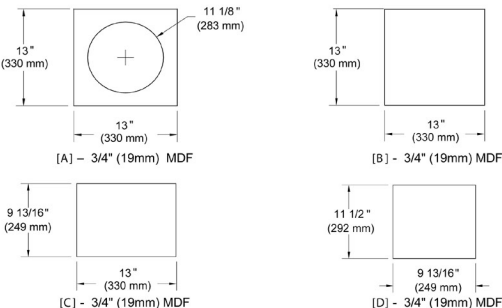
**TT6512-04**



Net Internal Volume: 0.75 ft<sup>3</sup>

**Parts List**

La Liste de parties, Liste de parties, Ersatzliste



**Recommended Power Rating of 200 - 400 Watts RMS**

La Potencia nominal recomendada, Le Pouvoir recommandé Evaluant, Empfohlene Kraft Einzuschätze

**PROTECTED BY US PATENT #7,433,485**

THUNDER™ · JACKHAMMER™ · AXE · SLERSEHAMMER™ · THUNDERFORM™  
AMPLIFIERS · SUBWOOFERS · SPEAKERS · ENCLOSURES · MARINE



MTX products purchased in the USA from an authorized MTX dealer are guaranteed against defects in material and workmanship for a period of 1 year; the warranty period begins the day the product is purchased by the end user. This warranty is limited to the original retail purchaser of product. Product found to be defective during that period will be repaired or replaced by MTX at no charge. This warranty is void if it is determined that unauthorized parties have attempted repairs or alterations of any nature. Warranty does not extend to cosmetics or finish. Before presuming a defect is present in the product, be certain that all related equipment and wiring is functioning properly. MTX disclaims any liability for other incurred damages resulting from product defects. Any expense in the removal or reinstallation of products are not covered by this warranty. MTX's total liability will not exceed the purchase price of the product. If a defect is present, your authorized MTX dealer may be able to effect repairs.

Proof of purchase is required when requesting service, so please retain your sales receipt, and take a moment to register your product on line at MTX.com. Also, a Return Authorization number (RA) is required before shipping product back to MTX, call 800-566-2888 or 602-328-6566 for speaker RA's.