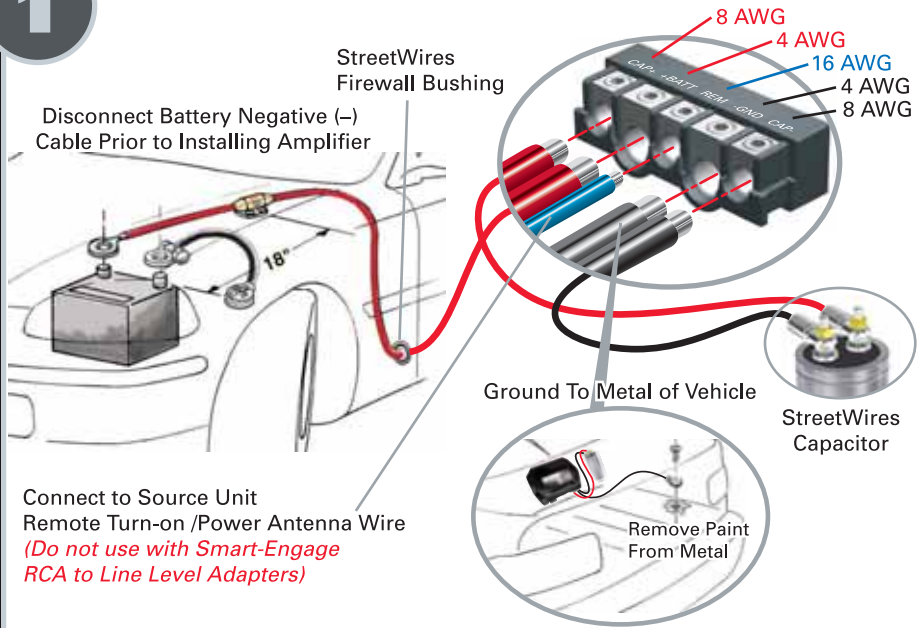


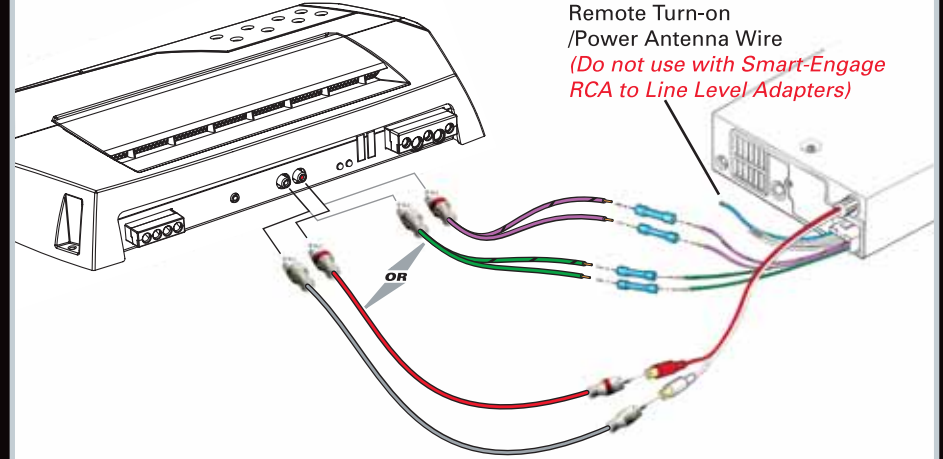
1

### CONNECT POWER



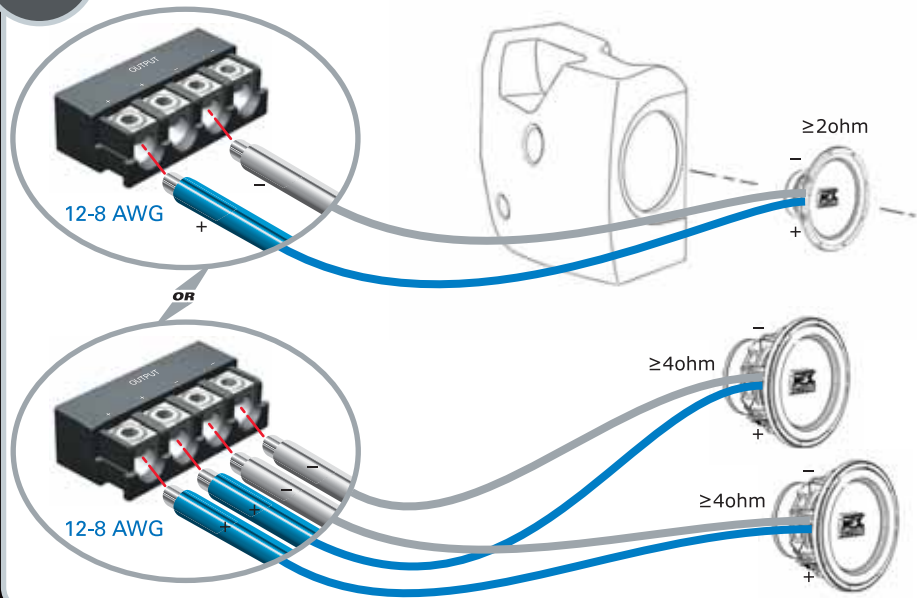
2

### CONNECT SIGNAL



3

### CONNECT SPEAKERS



4

### CONNECT EBC (EXTERNAL BASS CONTROL)

